

M45

SHORTGUN™ CEILING CONDENSER MICROPHONE

OVERVIEW

The M45 is a miniaturized shotgun condenser microphone with a swivel-and-pivot base for convenient positioning. The M45 is optimized for vocal intelligibility and offers high sensitivity, an integrated preamp, immunity from RF interference, and is easy to install in a 1-1/2" hole with no additional tools required.

Mic-level signal and LED control is over an RJ45 connection. An adapter is included to convert from RJ45 to an 8-conductor pluggable terminal block.

For use in Dante® networks, the optional AUDIX DN4 Enhanced Onramp for Dante | AES67 supports up to four devices and includes LED logic control.

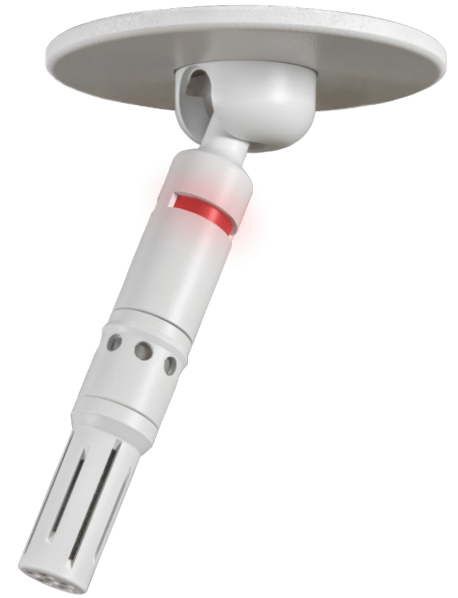
Designed, machined, assembled, and tested by Audix in Wilsonville, Oregon.

FEATURES

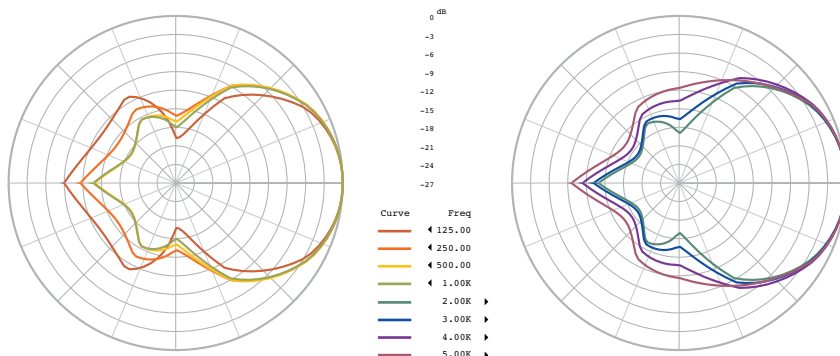
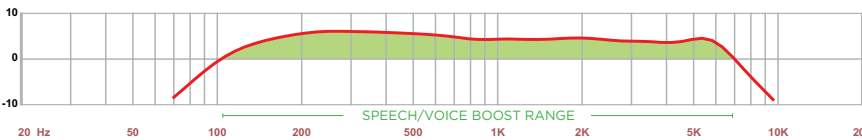
- High sensitivity and low noise
- Easy to install and aim
- Optimized for vocal intelligibility
- Immunity from RF interference

APPLICATIONS

- Conference rooms
- Classrooms
- Lecture halls
- Board rooms
- Hospitals



FREQUENCY AND POLAR RESPONSE



SPECIFICATIONS

Transducer	Condenser
Frequency Response	85 Hz- 8kHz
Polar Pattern	Supercardioid
Output Impedance	150 Ohms
Sensitivity	98 mV / Pa @ 1 kHz
Signal to Noise Ratio	72 dB
Maximum SPL	>124 dB
Dynamic Range	100 dB
Operating Voltage	18-52 V
Connector	RJ45
Materials / Finish	Brass & Aluminum / White
Weight	195g

ARCHITECT AND ENGINEER SPECIFICATIONS

The microphone shall be of the condenser type with a miniature shotgun capsule mounted to a low-profile, swivel-and-pivot base. The microphone shall be protected from RF interference. The microphone shall have an integrated preamp. The microphone shall operate on 18-52 Volts DC and the nominal output impedance shall be equal to 150 Ohms at 1 kHz. The microphone shall have a frequency response of 85 Hz to 8 kHz (-6 dB). The microphone shall have a sensitivity of 98 mV / Pa at 1 kHz. The microphone shall have a maximum SPL of ≥ 124 dB SPL with THD of 0.5%. The microphone shall be machined out of aluminum and brass. The microphone dimensions shall be 0.5" (diameter) by 3.125" (length) and housing shall be 1.5" (diameter) and 2.25" (height). The microphone is compatible with ceiling thickness from 0.47" (12mm) to 1.25" (29mm). The microphone shall be the Audix M45.

OPERATION AND MAINTENANCE

The M45 is a low impedance microphone and should be plugged into a "mic level" input on your conferencing system, mixer, or recording device. The M45 requires phantom power and will NOT operate without phantom power voltage (18-52 Volts) which is available on most professional mic preamps and mixing devices. If phantom power is not available on your equipment, use an external phantom power source such as the Audix APS2.

Avoid plugging or unplugging the microphone into or out of the audio system unless the channel is muted or the volume of the system turned down. Failure to do so may result in a loud "popping" noise which could seriously damage the speakers in the sound system or headphones.

Further miking techniques may be found at www.audixusa.com.

SUPPLIED ACCESSORIES

- ANCHRJB60V2 - Seismic/fire strain relief
- RJ45 to 8 conductor Phoenix™ adapter

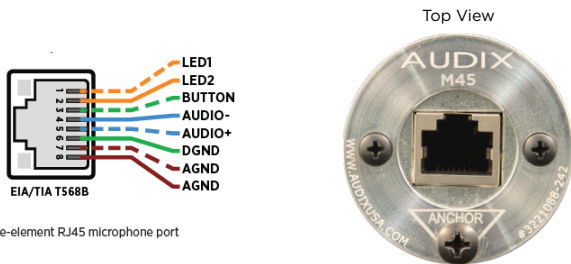
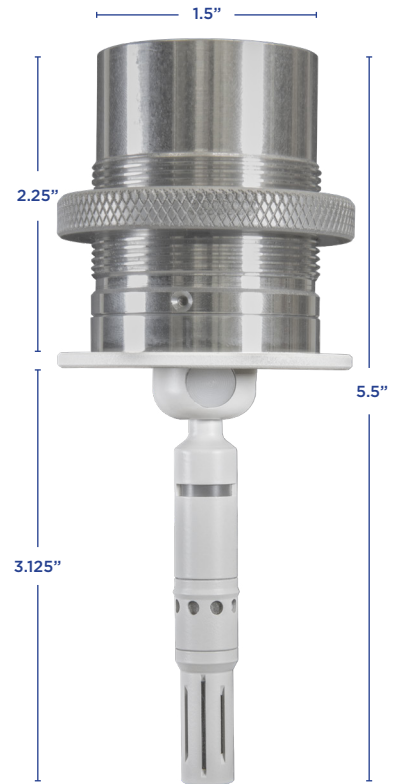


OPTIONAL ACCESSORIES

- DN4 - Enhanced Onramp for Dante | AES67



DIMENSIONS



Single-element RJ45 microphone port

